

X5 Wireless Tech-Note

Wireless Handheld 5" TFT ARM Cortex A7 - 528 MHz

- 5" TFT color display
- 480x272 pixel resolution, 64K colors
- Resistive touchscreen
- Emergency Stop button with illumination
- 3-Positions Enabling Switch
- 19 User-programmable Selection Keys
- 2 USB Host
- NFC (Optional)
- 3D Accelerometer



Highlights

The X5 Wireless Handheld HMI is a compact and lightweight device with an ergonomic design. Wireless connection with certification for safety devices makes this product the ideal solution for industrial applications.

Integrated devices (keyboard, potentiometers, handwheel) can be fully programmed assuring a quick use with your automation project. X5 is fully programmable with JMobile.

Working in combination with the Xbase (Base Station) as a peer-to-peer SIL3 rated WI-Fi connection, the flexibility of the X5 can be realised.

Where there exists the need to easily connect and command movement by distance. Where a full day's battery life is useful. Where the fatigue of the operator is important to reduce so that human errors do not occur....the X5 system provides the most ground-breaking solution.

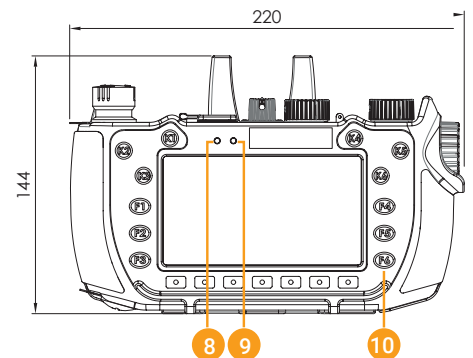
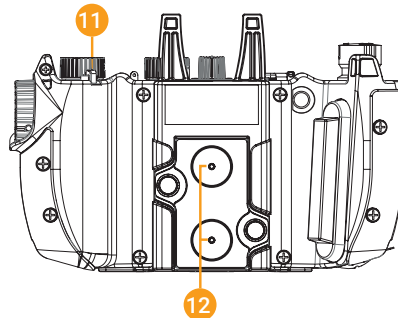
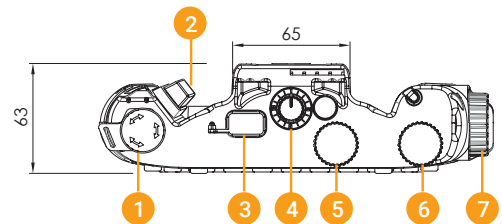
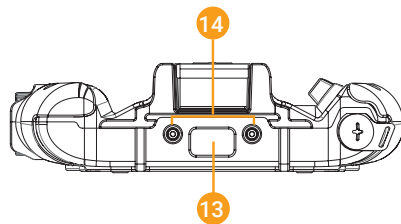
X5 Wireless - Technical Data



System Resources	
Display - Colors	5" TFT LED - 64K colors
Resolution	480x272
Brightness	300 Cd/m² typ.
Dimming	Yes
Touchscreen	Resistive
CPU	i.MX6UL ARM Cortex A7 - 528 MHz
Operating System	Linux 4.14
Flash	4 GB
RAM	512 MB
Real Time Clock, RTC Back-up	Yes, rechargeable Lithium battery (not user-replaceable)
Handwheel	Yes
Potentiometer	2
Selector Rotary Switch	16 positions
Emergency Stop Button	Yes, illuminated
Enabling Button	3 positions
Status Indicators	2 bi-color LED
Keys	19 user-programmable
Sensors	3-axis Accelerometer, Temperature (internal)
Buzzer, Vibrator	Yes
Interface	
Wireless	IEEE Std 802.11a/b/g/n
USB	2 Host V2.0, 250mA max
NFC	Yes (optional)
Ratings	
Power Supply	Rechargeable Battery
Battery capacity	4400 mAh
Charging Station	Yes
Environment Conditions	
Operating Temp	+5 to +45°C
Storage Temp	-20 to +70°C
Operating / Storage Humidity	5-85% RH, non condensing
Protection Class	IP64
Dimensions and Weights	
Faceplate LxH	220x144 mm
Depth D+T	63 mm
Weight	Approx 0.8 Kg
Approvals	
Certifications*	CE (Radio Equipment Directive 2014/53/UE for installation in industrial environments) FCC
Safety*	IEC 61508, EN ISO 13849-1, EN 61010-1 / EN 61010-2-201, UL61010-1 / UL61010-2-201
Safety functions*	SIL (IEC 61508): Emergency Stop SIL3, Enabling Device SIL 3, Selector SIL 1 Performance Level (EN ISO 13849-1): Emergency Stop PLd. Cat.3, Enabling Device PLd. Cat.3, Selector PLd. Cat.1

* In progress

- 1 Emergency Stop Button
- 2 Enabling Button
- 3 USB
- 4 Selector
- 5 Potentiometer 2
- 6 Potentiometer 1
- 7 Handwheel
- 8 Bicolor-LED 1
- 9 Bicolor-LED 2
- 10 Keypad
- 11 Touchscreen pen
- 12 Hanging magnets
- 13 USB
- 14 Battery charging contacts



Ordering Information

Model	Part Number	Description
X5 Wireless	+X5SWJ0HYE0	HMI X5 WIRELESS JM
Xbase	+X5B0J000YE0	BASE STATION X5
Xcharging	+X5C00100YE0	CHARGING STATION