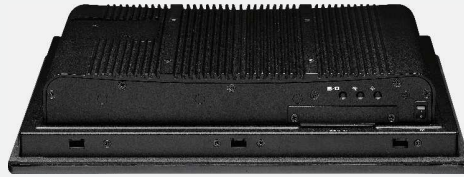


eTOP-EPC1245T



Main Features

- 4:3 12.1" XGA Fanless LED Panel Computer
- Intel® Atom™ E3826, Dual Core, Low Consumption CPU
- Flush Panel by 5-wire Touch Screen
- Dual GbE/2nd display-VGA/Line-out/PS2 KB/MS
- USB x 3/2 x Mini-PCIe sockets/1 x CFast/2 x RS232/422/485
- Fieldbus port
- DDR3L 2GB/2.5" HDD Bracket
- IP65 Compliant Front Panel
- Mounting Support: Panel/Wall/Stand/VESA 100mm x 100mm
- Wide Range Power Input 12V~30VDC

Product Overview

The 12.1" XGA fanless panel eTOP-EPC1245T incorporating an industrial motherboard is intended for versatile industrial applications. eTOP-EPC1245T supports 1024 x 768 (XGA) resolution and 500-nit brightness. The front panel which adopts flush design and complies with IP65 standard makes it the perfect fit in industrial applications.

This eTOP-EPC series supports WWAN/WLAN expansion and others via dual Gigabit Ethernet connectors, two Mini-PCIe slots and one SIM card holder. With support for wide power input of 12V~30V, this eTOP-EPC series can gain a strong foothold in industrial field and machine devices. In addition, this eTOP-EPC series can hook 2nd display via a VGA port for dual independent display. eTOP-EPC1245T has two isolated RS232/422/485 ports, four isolated channels of DI and DO, and Fieldbus port.

Specifications

Panel

- LED Size: 12.1", 4:3
- Resolution: XGA 1024 x 768
- Luminance: 500cd/m²
- Contrast ratio: 700
- LCD color: 16.2M
- Viewing Angle: 80(U), 80(D), 80(L), 80(R)
- Backlight: LED

Touch Screen

- 5-wire resistive (flush panel type)
- Light transmission: 80%
- Interface: USB

System

- CPU: On-board Intel® Atom™ Dual Core processor E3826, 1.46GHz, 1M L2 Cache
- BIOS: AMI BIOS
- System memory: 2 x 204-pin DDR3L SO-DIMM socket, 2GB DDR3L (Default), Support up to 8GB DDR3L-1066/1333, Non-ECC and Un-buffered
- Storage Device:
 - 1 x external locked CFast socket
 - 1 x hard drive bay: optional 1 x 2.5" SATA HDD or 1 x SATA DOM
- Watchdog timer: Watchdog timeout can be programmable by

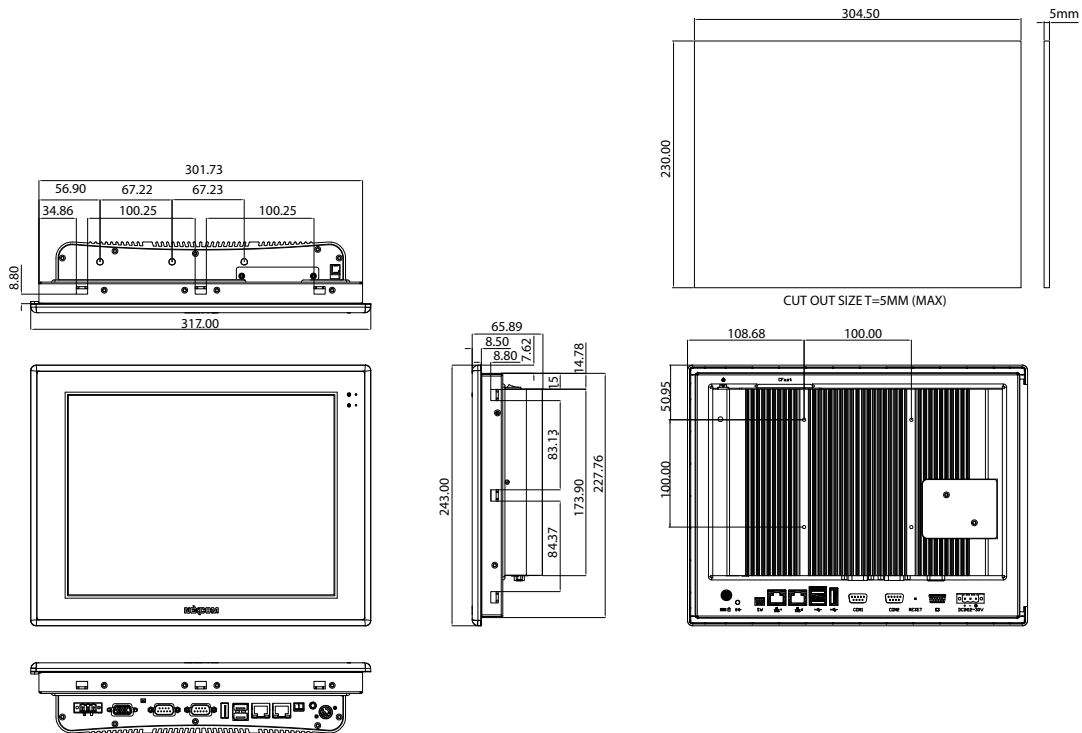
software from 1 second to 255 seconds and from 1 minute to 255 minutes (Tolerance 15% under room temperature 25°C)

- H/W status monitor: Monitoring system temperature, and voltage
- Expansion: 2 x Mini-PCIe sockets (support optional Wi-Fi, 3.5G module or Fieldbus Card)

Rear I/O

- Ethernet: 2 x RJ45
- 2nd display VGA port: 1 x DB15
- Audio port: 1 x Line-out
- USB: 2 x USB 2.0 + 1 x USB 3.0
- PS2 keyboard/mouse
- Power switch
- Reset button
- 2-pin Remote Power on/off switch
- DIO w/ 2.5kv isolated (Optional):
 - 4 x Digital Input (Source type)
 - Input Voltage (Dry Contact): Logic 0: Close to GND
 - Logic 1: Open
 - Input Voltage: Logic 0: 3V max
 - Logic 1: +5V ~ +30V
 - 4 x Digital Output (Sink type)
 - Output Voltage: 3.6V ~ 5V
 - Sink current: 200 mA max. per channel

Dimension Drawing



- COM #1: RS232/422/485 w/ 2.5kv isolated
- COM #2: RS232/422/485 w/ 2.5kv isolated
- Fieldbus: (Protocol interface Optional)

Audio

- HD audio codec: Realtek ALC886-GR
- Audio interface: Line-out/Line-in(Optional)/MIC-in(Optional)

Ethernet

- LAN chip: dual Intel® I210AT Gigabit LAN
- Ethernet interface: 10/100/1000 Based-Tx Ethernet compatible

Mechanical & Environment

- Color: pantone black\RAL 15 00 front bezel w/ Pantone 400C\RAL 090 80 10 metal style membrane
- IP protection: IP65 front
- Mounting: panel/wall/stand/VESA 100mm x 100mm
- Power input: 12V~30VDC
- Power adapter: Optional AC to DC power adaptor (+12V, 60W)
- Vibration:
 - IEC 68 2-64 (w/ HDD)
 - 1Grms @ sine, 5~500Hz, 1hr/axis (HDD Operating)
 - 2Grms @ sine, 5~500Hz, 1hr/axis (CFast Operating)
 - 2.2Grms @ random condition, 5~500Hz, 0.5hr/axis (Non-operating)
- Shock:
 - IEC 68 2-27
 - HDD: 20G@wall mount, half sine, 11ms
- Operating temperature: -5°C to 60°C
- Storage temperature: -20°C to 75°C
- Operating humidity: 10%~90% relative humidity, non-condensing
- Limits to be at 90% RH at max 50°C
- Dimension: 317 x 243 x 65.89mm
- Weight: 4 Kg

Certifications

- CE approval

Ordering Information

♦ eTOP-EPC1245T (P/N: +71EPC1245T)

12.1" XGA LED Backlight Touch Panel PC, Intel® Atom™ E3826
1.46GHz, touch screen, 2GB DDR3L, 2 x RS232/422/485 and 4 x 4 DI/O
with isolated protection, Brightness adjustment buttons.

Copyright 2014 Exor International S.p.A. – Verona, Italy

Subject to change without notice

The information contained in this document is provided for informational purposes only. While efforts were made to verify the accuracy of the information contained in this documentation, it is provided "as is" without warranty of any kind.

www.exorint.net