

PLIO03 Multifunction I/O Module

The PLIO03 is compact multifunction I/O module. It has been designed as an optional plug-in for the eTOP Series 500 HMI products. The PLIO03 is a programmable module offering a highly flexible configuration. The PLIO03 is the basic block for extending you HMI applications to complete control applications



- 20 Digital Inputs, configurable as counter/encoder channels
- 12 Digital Outputs
- 4 Analog Inputs configurable for voltage, current or temperature measurement. When configured in Single-ended mode, up to 8 voltage measurement inputs are possible
- 1 PT100 input for cold junction compensation of thermocouples
- 4 Analog Outputs configurable for voltage or current

Highlights

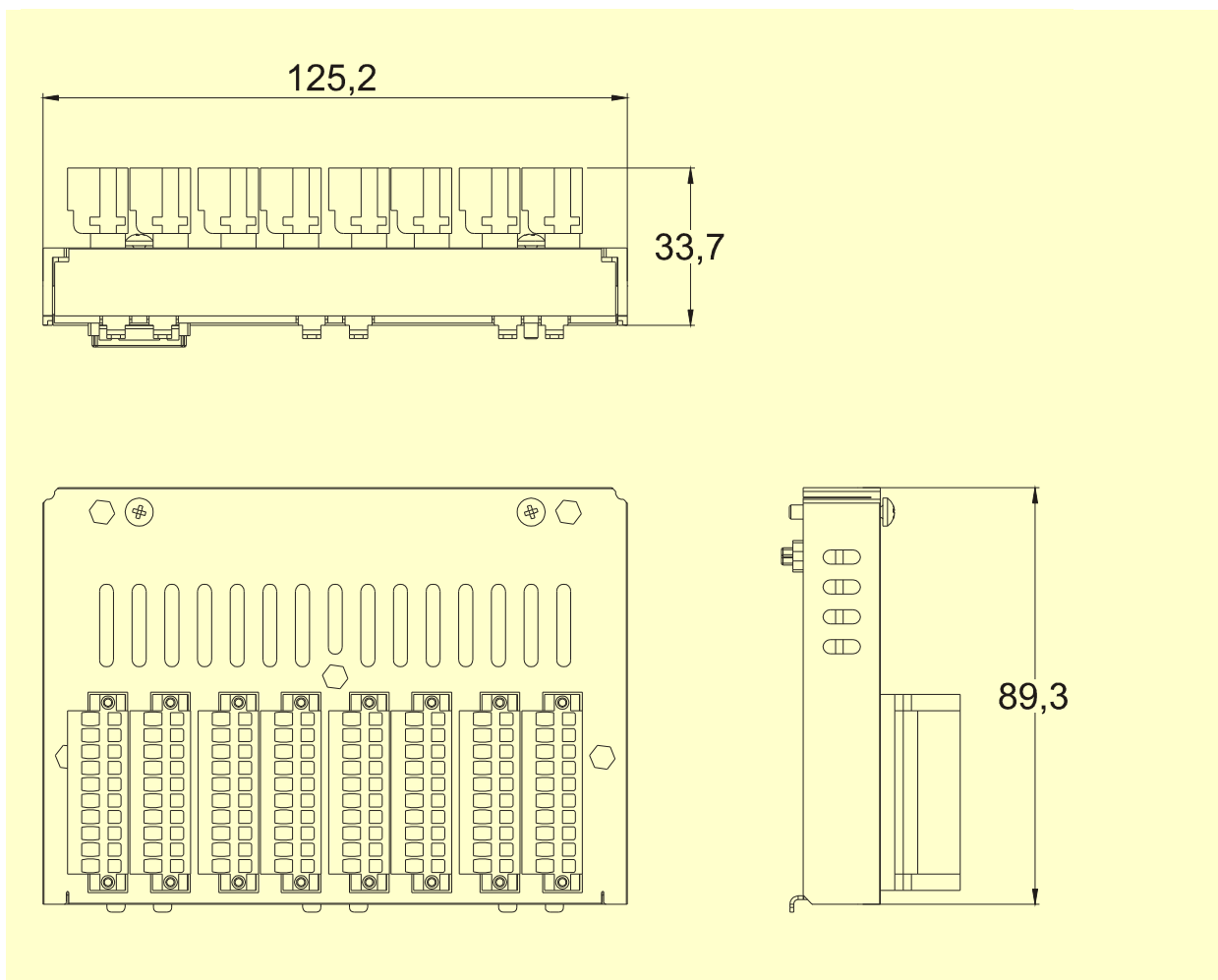
The PLIO03 I/O module has been designed for the eTOP Series 500 HMI products. panels have been designed to run the JMobile software.

- Plug&Play operation. The I/O module is automatically detected when plugged-in.
- I/O configuration supported by a CoDeSys I/O library.
- Compact and low power consumption.
- No additional power supply required in addition to the 24Vdc I/O power supply
- Optically isolated Digital I/O.
- Overcurrent and Thermal shutdown for Digital Outputs with integrated diagnostic functions.
- Easy wiring with removable 3,5mm spring connectors.
- Digital Inputs can be configured as encoder inputs, counter inputs and period/frequency measurement.
- Analog Input programmable as voltage inputs, current inputs. Additionally they can be configured to support industrial temperature sensors like thermocouple and PT100 (RTD).
- Analog Inputs with Programmable Gain Amplifier (PGA) and Offset
- On-board FPGA-based measurement controller reduces main CPU overhead.
- Analog Outputs programmable as voltage outputs and current outputs.
- Additional PT100 channel for cold junction compensation. To be used for thermocouples.
- Advanced board-level diagnostic

Technical Data

Digital Inputs		Voltage Input absolute input range	+/- 15Vdc (Analog ground referenced)
Number of channels	20	Current input range	0-20mA 4-20mA
Type of channel	Source active high (+24Vdc) inputs.	Current mode input impedance	200 Ohm
Input Voltage range	12 - 30 Vdc	Voltage mode input impedance	10 MOhm
Input impedance	3,3 KOhm	Thermocouple input	E, J, K,R,S,T types
Optical isolation	Yes	Cold Junction compensation	External with dedicated PT100 input
Isolation	1500 Vdc	PT100 (RTD) input	2, 3 or 4 wires transducer interface type with break and short circuit detection
Input filter	Programmable 0.1ms to 20ms	Analog Outputs	
Special input modes	Software configuration for 2 blocks of 4 inputs. Each block can be configured as encoder, counter or frequency	Output channels	4
Encoder mode	2 blocks of 4 digital inputs can be programmed as Encoder Phase A, B, Zero and Machine Zero Index. Max frequency 1MHz. 32bit counter	Analog output type	Voltage or current
Counter mode	2 blocks of 2 digital inputs can be programmed as pulse and gate counter inputs. Max frequency 1MHz. 32bit counter	Optical isolation	No
Frequency mode	2 digital inputs can be programmed as frequency measurement inputs. Max frequency 20 KHz. Minimum frequency 1 Hz	D/A Resolution	12 bit
Digital Outputs		Output voltage type	Single-ended +/-10Vdc
Number of Channels	12	Output voltage load impedance	1 KOhm min.
Type of channel	Source type with feedback of output driver fault status	Output voltage linearity error	0,15%
Output Voltage range	12 - 30Vdc	Output current type	Current source type 0-20mA or 4-20mA
Nominal Output current	0,5A	Output current load impedance	470 ohm max.
Optical isolation	Yes	Output current linearity error	0,2%
Output protection	Overcurrent and over temperature protected driver	Connectors	
Analog Inputs		Connector Type	Omnimate Range header/plugs 3,5mm – 10 contacts (two pieces terminal blocks)
Number of channels	4 differential or 8 single ended	Removable Plug Connector	Spring type contact Part number: 1691190000 BLZF 3.50/10/180F SN BK BX
Description	Individually programmable.	Environmental Conditions	
Optical isolation	No	Operating temperature	0 to 50 °C (vertical installation)
Measurement type	Industry standard voltage or current. Temperature measurement with trasducers such as thermocouples and PT100/ RTD	Storage temperature	-20 to +70 °C
A/D resolution	12 bits	Operating and storage humidity	5 – 85 % relative humidity, non-condensing
Accuracy @ 25°C	0,1% typ.	Protection class	IP20
Voltage input range and accuracy	Bipolar: +/- 100mV 0,1% F.S. +/- 500mV 0,2 % F.S. +/- 1V 0,1% F.S. +/- 5V “ +/- 10V “ Unipolar:0-100mV “ 0-500mV “ 0-1V “ 0-10V “	Approvals	
		CE	Emission EN 61000-6-4 Immunity EN 61000-6-2 for installation in industrial environments
		DNV	DNV Type Approval Certificate

Dimensions



Ordering Information

Model	Part Number	Description
PLIO03	+PLIO03U0P1	Multifunction I/O Module. 20 DI, 12 DO, 4 AI, 4 AO

ptn0369

Ver. 1.3

Copyright © 2012 Exor International S.p.A. – Verona, Italy

Subject to change without notice

The information contained in this document is provided for informational purposes only. While efforts were made to verify the accuracy of the information contained in this documentation, it is provided "as is" without warranty of any kind.

www.uniop.com