



ADR220

Direct Drive Rotary Stage



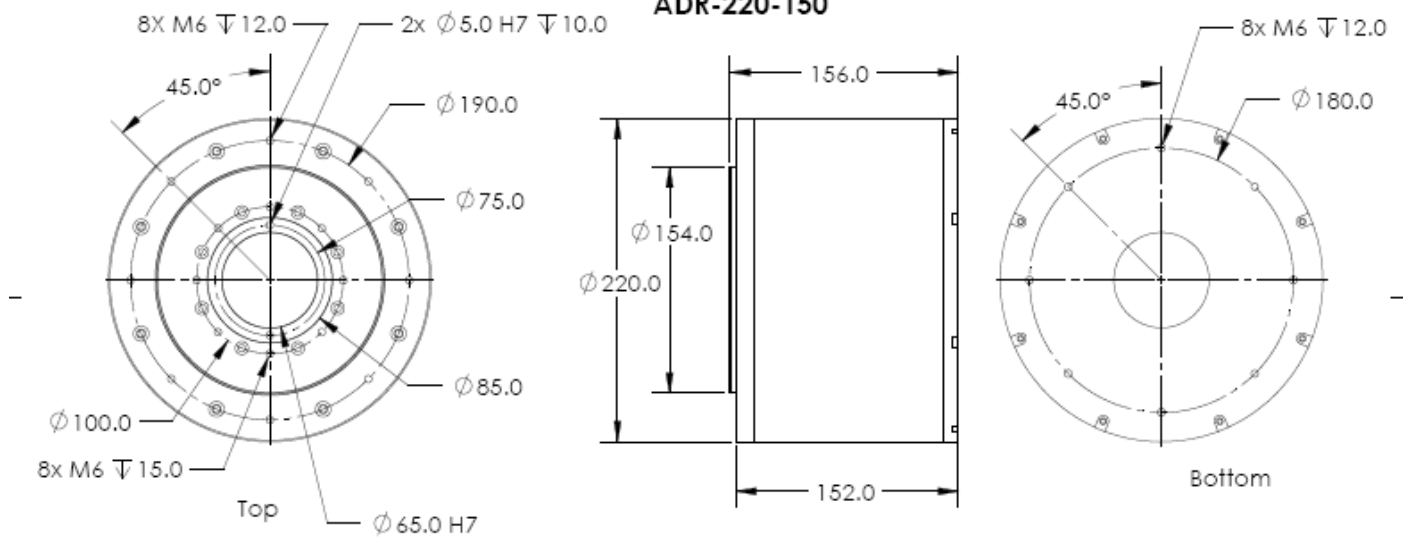
- Direct drive, brushless motor fully integrated with encoder and bearing
- Encoder options of 216,000 counts/rev, 2,160,000 counts/rev or SINCOS
- Precise homing through index pulse
- Diameter 65 mm center through hole

Data sheet

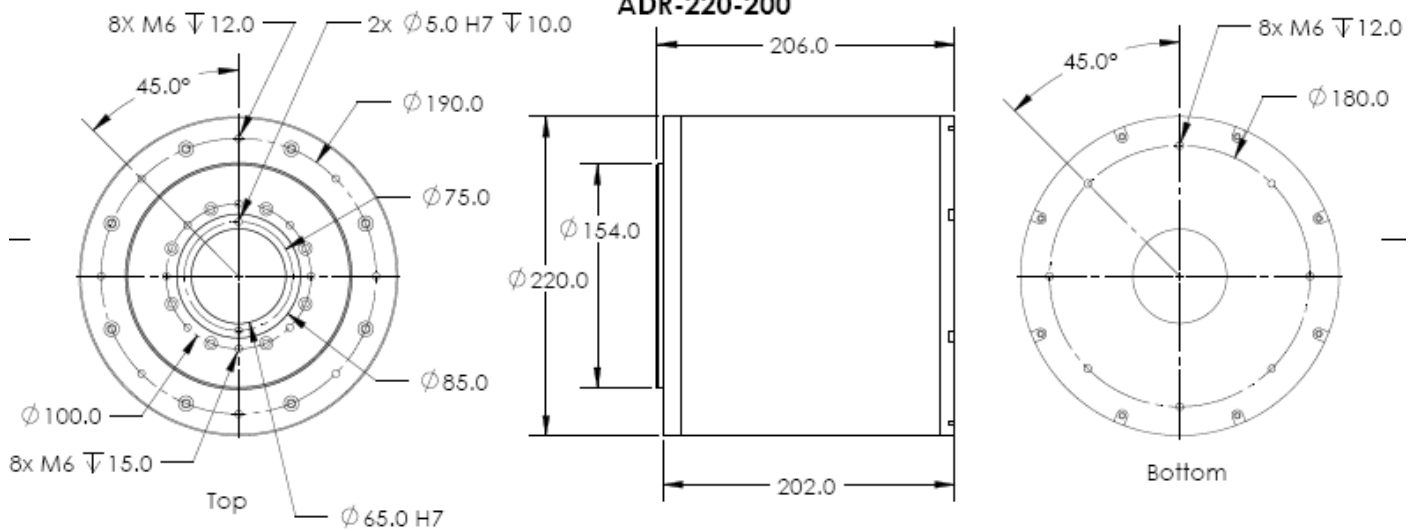
Model	Units	ADR220-150	ADR220-200
Table diameter	mm	220	220
Table height	mm	156	206
Continuous torque	Nm	34.02	67.91
Peak torque	Nm	102.06	203.72
Torque constant (Star connection)	Nm/A	2.52	5.03
Back EMF constant	V/rpm	0.26	0.53
Continuous current	A	13.50	13.50
Peak current	A	40.50	40.50
Resistance	ohms	0.62	1.04
Encoder resolution	counts/rev	216,000; 2,160,000; SINCOS	
Mass	Kg	17.9	24.5
Rotor Inertia	Kgm ²	0.0206	0.0338
Radial runout	um	12.0	12.0
Axial runout	um	12.0	12.0
Static permissible radial load	kN	100.0	100.0
Static permissible axial load	kN	227.3	227.3
Mechanical allowable speed	rpm	538	538
Rec. max speed @150 VDC	rpm	473	205
Rec. max speed @115V AC	rpm	519	228
Rec. max speed @230V AC	rpm	538	537

* SINCOS – 22,118,400 counts with interpolation of 4096.

ADR-220-150



ADR-220-200



Part Numbering

ADR220-	Model	Encoder resolution (counts)
	150, 200	10X; 100X; SINCOS

Example: ACD220-150-SINCOS